



Quick Start Guide - Multi-Lock SetUp

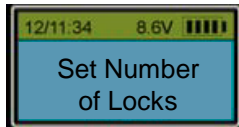
This guide will describe the process to set up Multi-Lock configurations, where one ProLogic EntryPad is used to control up to 4 lock bodies .

The ProLogic Series (L02-L68) can be programmed to manage up to 4 lock bodies from a single EntryPad. This is accomplished using the Junction Box (CB11-1T4). Please see the attached Multi-Lock wiring diagrams for recommended configurations.

To program the EntryPad to control multiple lock bodies:

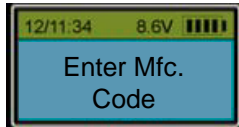
Step 1: Program the EntryPad to accept Multiple Locks

- Enter the System Menu. When the LCD screen shows “Select Menu”, press the ▲ or ▼ buttons, until you see the menu selection “ Set Number of Locks”

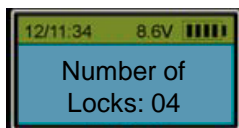


- Press OK

- Now enter the Mfc. Code: 975246



- Now indicate the number of Locks to be controlled.
- To change the number, press the ▲ or ▼ buttons.
- Press OK.



Step 2: Set the Lock# for the First Lock Body

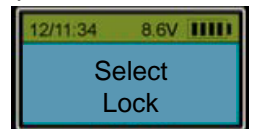
Each lock must be identified in the system by a unique lock number, i.e Lock#1, Lock#2, etc.

- Connect the EntryPad cable to the port on the CB11-1T4 marked J0
- Connect the Lock cable to the port on the CB11-1T4 marked J1
- Disconnect the Lock Cable from the Lock Body
- Install the battery in the EntryPad.
- Locate the Reset button on the back of the Lock body.
- Using a poke tool depress the reset button and hold

- Now connect the Lock Cable from the junction Box (CB11-1T4) to the lock, while holding down the reset button
- Continue to hold down the reset button for 5 seconds
- Release the Reset button

Step 3: Open the Lock

- Enter the Manager Code to open the Lock.



- The screen will request that a Lock number be specified
- Press the button on the Entrypad that corresponds to the number you would like to name this lock. (i.e. if this lock is to be named Lock#1, press “1”,etc.)

- This opens the lock and names it accordingly.

Step 4: Set the Lock# for the remaining Lock Bodies

- Disconnect all other locks from the junction box (CB11-1T4).
- Connect the next lock to be identified by the EntryPad to the next available port on the junction box (CB11-1T4)
- Repeat Steps 2 and 3 (above) to name this lock
- Repeat this process to identify the remaining locks

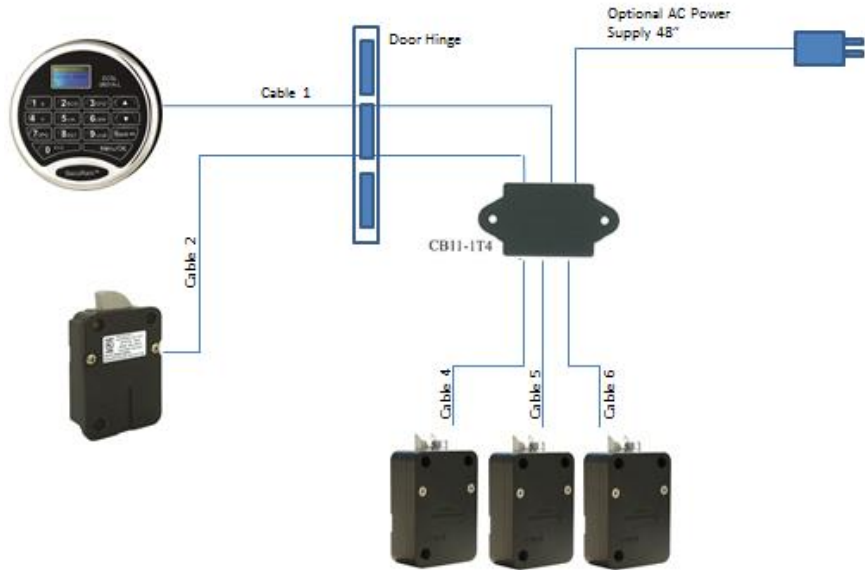
Junction Box – Part # CB11-1T4



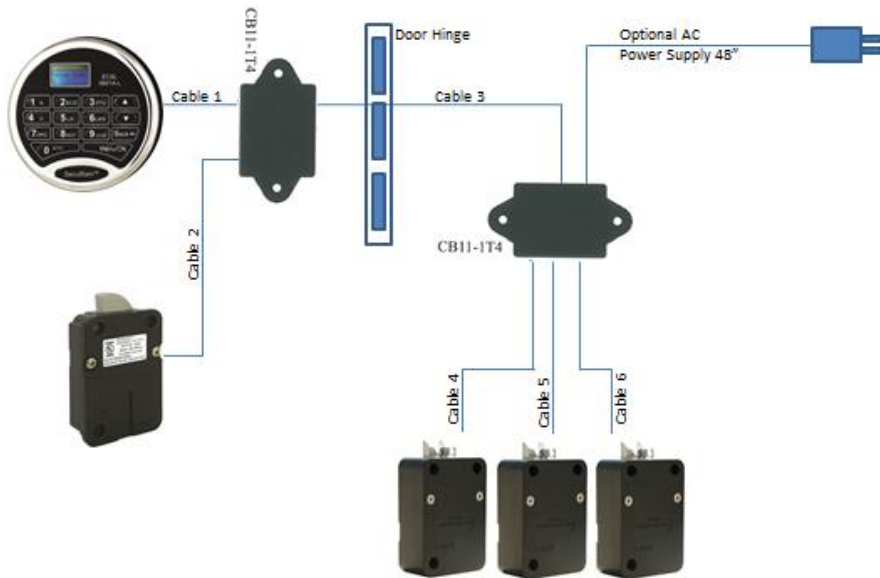
For a full set of Operating Instructions visit our website at www.securamsys.com



Quick Start Guide - Multi-Lock Configurations



Wiring Configuration #1: Typical Outer Door/ Inner Compartment application



Wiring Configuration #2: Alternate Outer Door/Inner Compartment application